

24W InGround Light



FIREFLY LIGHTING

Phone : +61 7 3254 4333

Email : sales@fireflylighting.com.au

Address : 9/29 Links Ave. North Eagle Farm, Brisbane QLD 4009 Australia

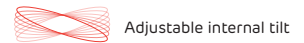
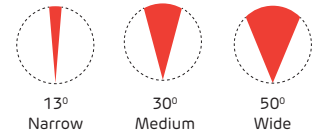
www.fireflylighting.com.au

LANDSCAPE RANGE
COMMERCIAL GRADE

24W | 24V | 2700k



Firefly Lighting’s Range of Landscape products make light work of illuminating various outdoor environments. We created this range to sustain Australia’s extreme weather conditions so the product lasts well beyond its warranty period and leaves our customers with a smile from ear to ear. All our landscape products are IP rated, and come standard with anti-glare honeycombs. Simply connect into existing 24V DC transformers, and you’re good to go!



SPECIFICATIONS

SKU	LS-IG-24W-N-B	LS-IG-24W-M-B	LS-IG-24W-W-B
Beam Angle	13°	30°	50°
Voltage	24V DC		
Light Source	12 x 1.5W OSRAM		
CCT	2700K		
Wattage	24.5±0.5W		
Lumen Output	1040lm	870lm	790lm
Dimmable	Yes, with PWM driver		
IP Rating	IP65		
IK Rating	IK06		
Housing Material	Die cast powder coated aluminium.		
Glass Window	Tempered frosted step glass 10mm		
Ground Impedance (MΩ)	>20		
Resessed Sleeve Material	Polycarbonate/ABS Blend		
Cable	3m (2x1mm ²)		
Net Weight	1kg		



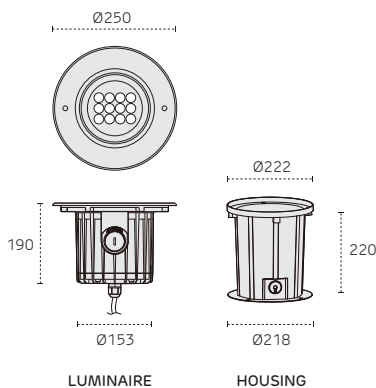
LUMINAIRE



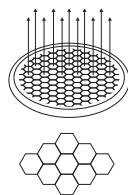
HOUSING

DIMENSIONS

Shown in mm



GLARE CONTROL



Honey Comb Louvre

Minimises glare by reducing the angle of light source visibility.

A tight distribution of cells creates a “visual light shield”, with the mesh restricting stray light spill and directing the illumination.

PHOTOMETRIC DATA

See page 2

24W InGround Light

LANDSCAPE RANGE
COMMERCIAL GRADE



FIREFLY LIGHTING

Phone : +61 7 3254 4333

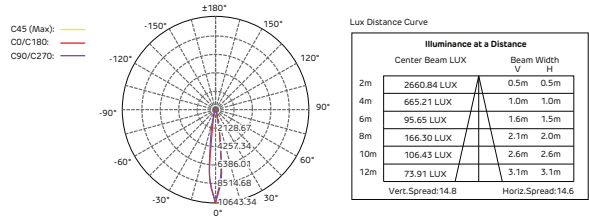
Email : sales@fireflylighting.com.au

Address : 9/29 Links Ave. North Eagle Farm,
Brisbane QLD 4009 Australia

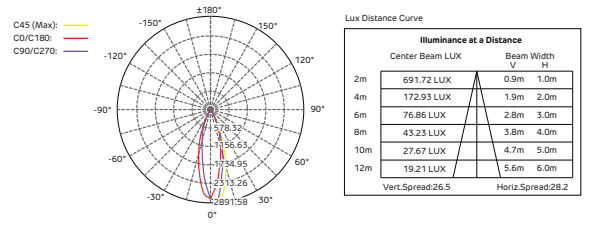
www.fireflylighting.com.au

PHOTOMETRIC DATA

Narrow Beam - 13°



Medium Beam - 30°



Wide Beam - 50°

