

3W Spike Light



FIREFLY LIGHTING

Phone : +61 7 3254 4333

Email : sales@fireflylighting.com.au

Address : 9/29 Links Ave. North Eagle Farm, Brisbane QLD 4009 Australia

www.fireflylighting.com.au

LANDSCAPE RANGE
COMMERCIAL GRADE

3W | 24V | 2700k



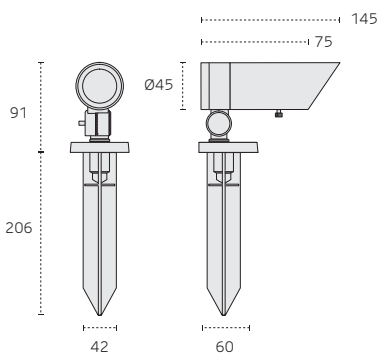
Firefly Lighting's Range of Landscape products make light work of illuminating various outdoor environments. We created this range to sustain Australia's extreme weather conditions so the product lasts well beyond its warranty period and leaves our customers with a smile from ear to ear. All our landscape products are IP rated, and come standard with anti-glare honeycombs and bevel cut hoods. Simply connect into existing 24V DC transformers, and you're good to go!

SPECIFICATIONS

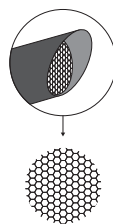
SKU	LS-SP-3W-N-B	LS-SP-3W-M-B	LS-SP-3W-W-B
Beam Angle	9°	30°	45°
Voltage	24V DC		
Light Source	3 Watt Nichia		
CCT	2700K		
Wattage	3.5±0.2W		
Lumen Output	286lm	275lm	237lm
Dimmable	Yes, with PWM driver		
IP Rating	IP65		
IK Rating	IK06		
Spike Material	Stainless Steel		
Ground Impedance (MΩ)	>20		
Cable	3m (2x1mm ²)		
Net Weight	700g		
Luminaire Housing Material	Black powder-coated die-cast aluminium with nautical paint		



DIMENSIONS



GLARE CONTROL



Bevel Cut Hood

Minimises glare by reducing the angle of light source visibility.

Honeycomb Louvre

A tight distribution of cells creates a "visual light shield", with the mesh restricting stray light spill and directing the illumination.

PHOTOMETRIC DATA

See page 2

3W Spike Light

LANDSCAPE RANGE
COMMERCIAL GRADE

3W | 24V | 2700k



FIREFLY LIGHTING

Phone : +61 7 3254 4333

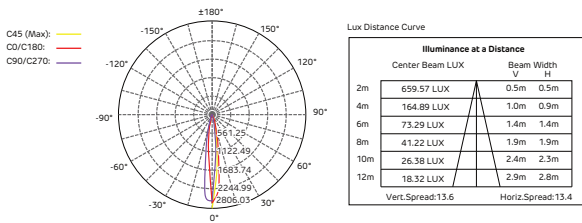
Email : sales@fireflylighting.com.au

Address : 9/29 Links Ave. North Eagle Farm,
Brisbane QLD 4009 Australia

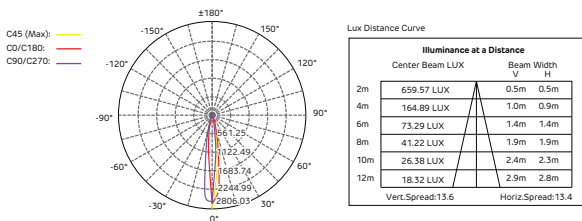
www.fireflylighting.com.au

PHOTOMETRIC DATA

9 Degrees



30 Degrees



45 Degrees

