



FloppyFlex® F2008

VARIABLE COLOUR IN-GROUND LED NEON



INDOOR
OUTDOOR



UV
STABILISED



24V EXTRA
LOW VOLTAGE



OUTDOOR
IP RATED



COMMERCIAL
GRADE



VANDAL
RESISTANT



PRESSURE
RATED



GREEN
FRIENDLY



5 YEAR
WARRANTY

SILICONE

FloppyFlex® F2008 A/E/D

RGB / RGBW / DYNAMIC WHITE
VARIABLE COLOUR IN-GROUND LED NEON



FIREFLY LIGHTING
Phone +61 7 3254 4333
Email sales@fireflylighting.com.au
Address 9/29 Links Ave North, Eagle Farm,
Brisbane QLD 4009 Australia
www.fireflylighting.com.au



INDOOR
OUTDOOR



UV
STABILISED



24V EXTRA
LOW VOLTAGE



OUTDOOR
IP RATED



COMMERCIAL
GRADE



VANDAL
RESISTANT



PRESSURE
RATED

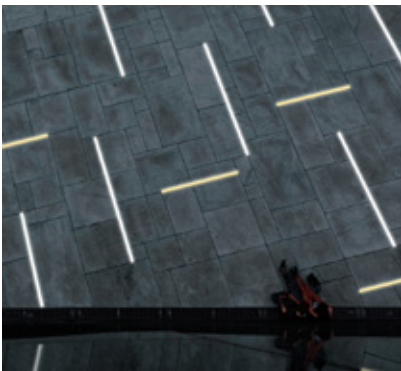


GREEN
FRIENDLY

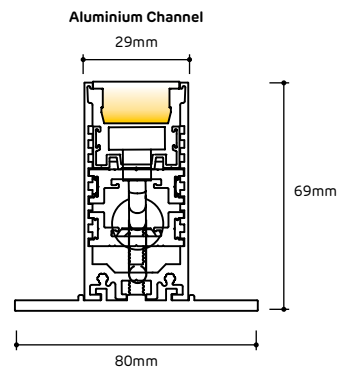
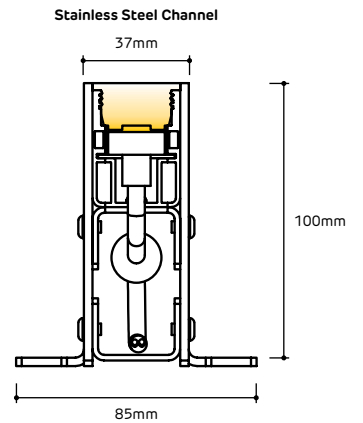
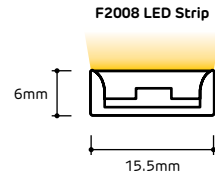
SILICONE



5 YEAR
WARRANTY



FloppyFlex F2008 is a flexible 24V LED neon strip controlled via DMX decoder. It features a rich, vibrant variable colour palette with RGB / RGBW or Dynamic White LEDs. A choice of 2mm or 3mm stainless steel In-Ground drive-over channels, or aluminium walk-over channels.



FEATURES

83,34 mm cuttable units

Super bright with homogenous lighting surface

Seamless colour mixing, beautiful dimming via FloppyDrive or DMX decoder

Wide range of accessories for joining, terminating, mounting, powering

Easy to use and install

Unlimited and unprecedented possibilities

APPLICATIONS

Installation, architectural, theme parks, place making, public squares, and scenic elements.

AVAILABLE CONNECTORS

Injection Molded Power Feed and End cap connectors, fully customizable for no-hassle installations. Silicone IP67.

RESISTANCE AND PROTECTIONS

Flame Resistant
UV Resistant
Solvents Resistant
Saltwater Resistant
IP67 Protection
IK08-10 Protection

CERTIFICATIONS

With factory-installed connectors. cULus Listed, CE, TUV and RoHS compliant and passes rigorous environmental, optical, mechanical, and electrical testing.

FloppyFlex[®] F2008 A

RGB

VARIABLE COLOUR LED NEON



FIREFLY LIGHTING

Phone +61 7 3254 4333

Email sales@fireflylighting.com.au

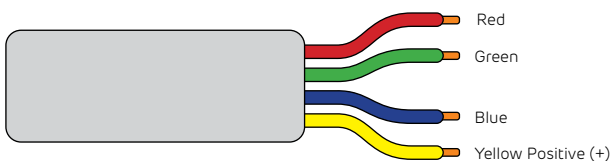
Address 9/29 Links Ave North, Eagle Farm.

Brisbane QLD 4009 Australia

www.fireflylighting.com.au

Part Number	SLN-F2008A			
Type	Dimmable Variable Colour			
Colour	RGB			
Colour/CCT	Red	Green	Blue	R+G+B
Wavelength	618-624nm	522-528nm	468-474nm	-
Lumen/m	45	130	20	195
Beam Angle, Average (50%)	151.1°			
Number of Units Per Metre	12			
LED Quantity Per Unit	6			
LED Quantity Per Metre	84			
Base Color	White base standard			
Housing	Silicone			
Standard Lengths	204mm, 504mm, 1004mm			
Minimum Cutting Length	83.3mm			
Connectors & Hardware	Factory molded connectors / Stainless Steel mounting channels / Aluminium mounting channels			
Operating Voltage	24V DC			
Wiring	4-Wire			
Power Consumption	12 W/m			
Max Run Lengths	Single end feed	15 m Dynamic Operation		
		10 m Full Static Load		
	Double end feed	30 m Dynamic Operation		
		20 m Full Static Load		
Control	DMX-512/Ethernet via ProPlex BuckBoost System, DMX-512 via FloppyDrive 4X2 or DMX decoder			
Installation Temperature	-40 to 50 °C			
Operating Temperature	-40 to 55 °C			
Mounting Surface Temperature	85 °C Max.			
Storage Temperature	-40 to 60 °C			
Ingress Protection	IP67 with Factory Molded connectors			
Listing	UL2108 Class 2, CE-EMC, IS 10322			
Warranty	5 Years			

WIRE LEGEND



FloppyFlex[®] F2008_E

RGBW

VARIABLE COLOUR LED NEON



FIREFLY LIGHTING

Phone +61 7 3254 4333

Email sales@fireflylighting.com.au

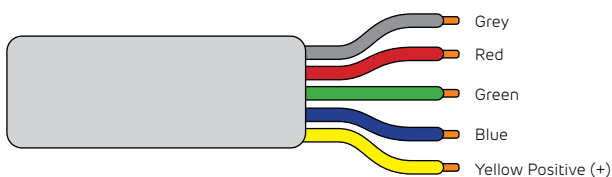
Address 9/29 Links Ave North, Eagle Farm.

Brisbane QLD 4009 Australia

www.fireflylighting.com.au

Part Number	SLN-F2008E			
Type	Dimmable Variable Colour			
Colour	RGB			
Colour/CCT	Red	Green	Blue	R+G+B
Wavelength	618-624nm	522-528nm	468-474nm	2725 ± 145K
Lumen/m	45	130	20	115
Beam Angle, Average (50%)	151.1°			
Number of Units Per Metre	12			
LED Quantity Per Unit	6			
LED Quantity Per Metre	84			
Housing	Silicone			
Standard Lengths	204mm, 504mm, 1004mm			
Minimum Cutting Length	83.3mm			
Connectors & Hardware	Factory molded connectors / Stainless Steel mounting channels / Aluminium mounting channels			
Operating Voltage	24V DC			
Wiring	4-Wire			
Power Consumption	12 W/m			
Max Run Lengths	Single end feed	12 m Dynamic Operation		
		8 m Full Static Load		
	Double end feed	24 m Dynamic Operation		
		16 m Full Static Load		
Control	DMX-512/Ethernet via ProPlex BuckBoost System, DMX-512 via FloppyDrive 5X2 or DMX decoder			
Installation Temperature	-40 to 50°C			
Operating Temperature	-40 to 45 °C			
Mounting Surface Temperature	85 °C Max.			
Storage Temperature	-40 to 60 °C			
Ingress Protection	IP67 with Factory Molded connectors			
Listing	UL2108 Class 2, CE-EMC			
Warranty	5 Years			

WIRE LEGEND



FloppyFlex[®] F2008_D

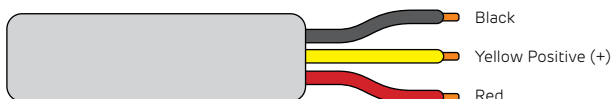
DYNAMIC WHITE
VARIABLE WHITE LED NEON



FIREFLY LIGHTING
 Phone +61 7 3254 4333
 Email sales@fireflylighting.com.au
 Address 9/29 Links Ave North, Eagle Farm,
 Brisbane QLD 4009 Australia
www.fireflylighting.com.au

Part Number	SLN-F2008D			
Type	Dimmable Variable White			
Colour	Dynamic White 2200K-5700K			
Colour/CCT	Warm White 2200K	Cool White 5700K	Warm White 2200K	Cool White 6500K
CCT Tolerance	2238±102K	5669±355K	2238±102K	6669±355K
CRI	80	80	80	80
Lumen/m	130	130	170	180
Beam Angle, Average (50%)	147.9°			
Number of Units Per Metre	12			
LED Quantity Per Unit	6			
LED Quantity Per Metre	84			
Housing	Silicone			
Standard Lengths	204mm, 504mm, 1004mm			
Minimum Bend Diameter	120 mm			
Connectors & Hardware	Factory molded connectors / Stainless Steel mounting channels / Aluminium mounting channels			
Operating Voltage	24V DC			
Wiring	3-Wire			
Power Consumption	12 W/m			
Max Fixture Runs	Single end feed	30 m Dynamic Operation		
		15 m Full Static Load		
	Double end feed	60 m Dynamic Operation		
		30 m Full Static Load		
Control	DMX-512/Ethernet via ProPlex BuckBoost System, DMX-512 via FloppyDrive 3X2 or DMX decoder			
Installation Temperature	-40 to 50 °C			
Operating Temperature	-40 to 55 °C			
Mounting Surface Temperature	85 °C Max.			
Storage Temperature	-40 to 60 °C			
Ingress Protection	IP67 with Factory Molded connectors			
Listing	UL2108 Class 2, CE-EMC			
Warranty	5 Years			

WIRE LEGEND









FloppyFlex® F2008 B

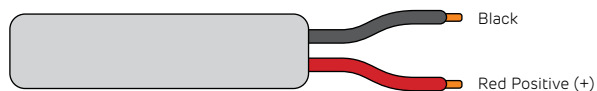
SINGLE COLOUR



FIREFLY LIGHTING
 Phone +61 7 3254 4333
 Email sales@fireflylighting.com.au
 Address 9/29 Links Ave North, Eagle Farm.
 Brisbane QLD 4009 Australia
www.fireflylighting.com.au

Part Number	SLN-F2008B-22	SLN-F2008B-27	SLN-F2008B-30	SLN-F2008B-35	SLN-F2008B-40	SLN-F2008B-57
Type	Dimmable Fixed White					
Colour/CCT	 2200K	 2700K	 3000K	 3500K	 4000K	 5700K
CCT Tolerance	2000±10K	2300±110K	2500±120K	3045±175K	4265±245K	4200±275K
CRI	80					
Lumen/m	280	325	345	355	355	345
Cutting Increments	83.34mm					
Number of Units Per Metre	12					
LED Quantity Per Unit	7					
LED Quantity Per Metre	84					
Base Colour	Transperant					
Housing	Silicone					
Standard Lengths	204mm, 504mm, 1004mm					
Minimum Bend Diameter	120 mm					
Connectors & Hardware	Factory molded connectors / Stainless Steel mounting channels / Aluminium mounting channels					
Operating Voltage	24V DC					
Wiring	2-Wire					
Power Consumption	12 W/m					
Max Fixture Runs	Single end feed	15 m Full Static Load				
	Double end feed	30 m Full Static Load				
Control	DMX-512/Ethernet via ProPlex BuckBoost System, DMX-512 via FloppyDrive 3X2 or DMX decoder					
Installation Temperature	≥ -40°C					
Operating Temperature	-40 to 55 °C					
Mounting Surface Temperature	85 °C Max.					
Storage Temperature	-40 to 60 °C					
Ingress Protection	IP68 with Factory Molded connectors					
Listing	UL2108 Class 2, CE-EMC					
Warranty	5 Years					

WIRE LEGEND



FloppyFlex[®] F2008 A/E/D

DRIVERS



FIREFLY LIGHTING
 Phone +61 7 3254 4333
 Email sales@fireflylighting.com.au
 Address 9/29 Links Ave North, Eagle Farm,
 Brisbane QLD 4009 Australia
www.fireflylighting.com.au

Mean Well 24 VDC LED Drivers

- High efficiency 24VDC LED drivers in DIN Rail and stand-alone with multiple wattage configurations
- IP-rated units available
- Fixed or dimmable output. Dimming available via 1-10VDC, 10V PWM signal, resistance, or built-in potentiometer



L-TECH 4 channel DMX Decoder

- DMX dimming for 24V LED Tapes, Neons, and other low voltage systems of all types. Perfect for FloppyFlex
- One 24V 5-wire output
- Addressing via RDM or built in DIP switches
- Pluggable Terminal Block (PTB) screw terminals for bare-wire, installation flexibility
- Realises 0-100% dimming or different lighting effects.
- Works with DIM, CT, RGB, RGBW LEDs



FloppyDrive DIN Rail Mount

- DMX dimming for 24V LED Tapes, Neons, and other low voltage systems of all types. Perfect for FloppyFlex
- Two 24V 2-, 3-, 4-, or 5-wire outputs
- Addressing, monitoring and reporting of all functions, via RDM
- 1200Hz flicker-free refresh rate
- Pluggable Terminal Block (PTB) screw terminals for bare-wire, installation flexibility

More information and full specification sheets at <https://tmb.com/proplex-floppydrives>



L-TECH 3 channel DMX Decoder

- DMX dimming for 24V LED Tapes, Neons, and other low voltage systems of all types. Perfect for FloppyFlex
- One 24V 4-wire output
- Addressing via RDM or built in DIP switches
- Pluggable Terminal Block (PTB) screw terminals for bare-wire, installation flexibility
- Realises 0-100% dimming or different lighting effects.
- Works with DIM, CT, RGB LEDs

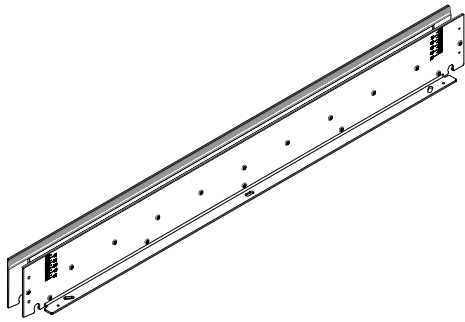


FloppyFlex[®] F2008

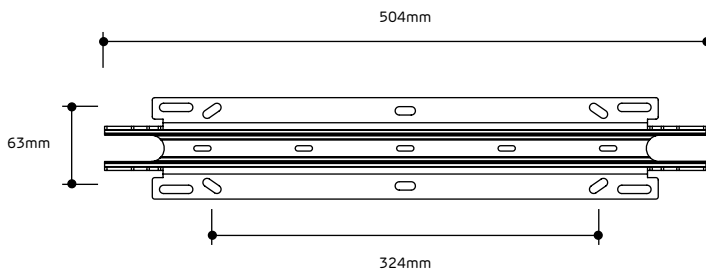
3MM STAINLESS STEEL CHANNEL



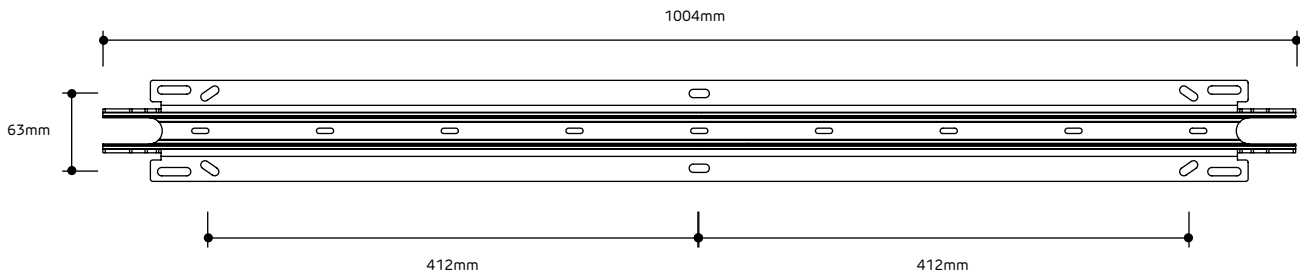
FIREFLY LIGHTING
 Phone +61 7 3254 4333
 Email sales@fireflylighting.com.au
 Address 9/29 Links Ave North, Eagle Farm.
 Brisbane QLD 4009 Australia
www.fireflylighting.com.au



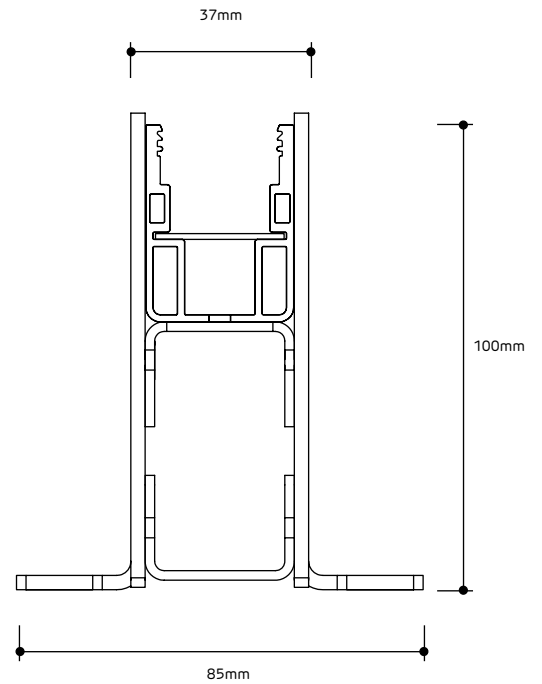
Product Code: LNCH-F2008-IG3-05



Product Code: LNCH-F2008-IG3-1



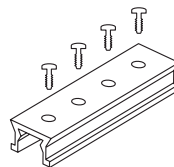
2mm Steel Channel



3mm Stainless Steel In-Ground Channel can be used to securely house FloppyFlex F2008. 3mm thick 316 Stainless Steel construction holds the FloppyFlex neon firmly in extreme pressure conditions with an IK10 rating. Suitable for both drive-over and walk-over applications.

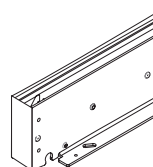
3mm Stainless Steel

Housing Material	3mm thick 316 Stainless Steel
Max Static Load	10000kg/0.5m
Usage	Drive-over or walk over
IP rating	IP67



Joining Bracket

Each length of In-Ground channel can be extended up to the maximum length of the FloppyFlex F2008. 2 x Joining Brackets are required for each additional length required. Product Code: **LNCH-IG/JB**



End Cap

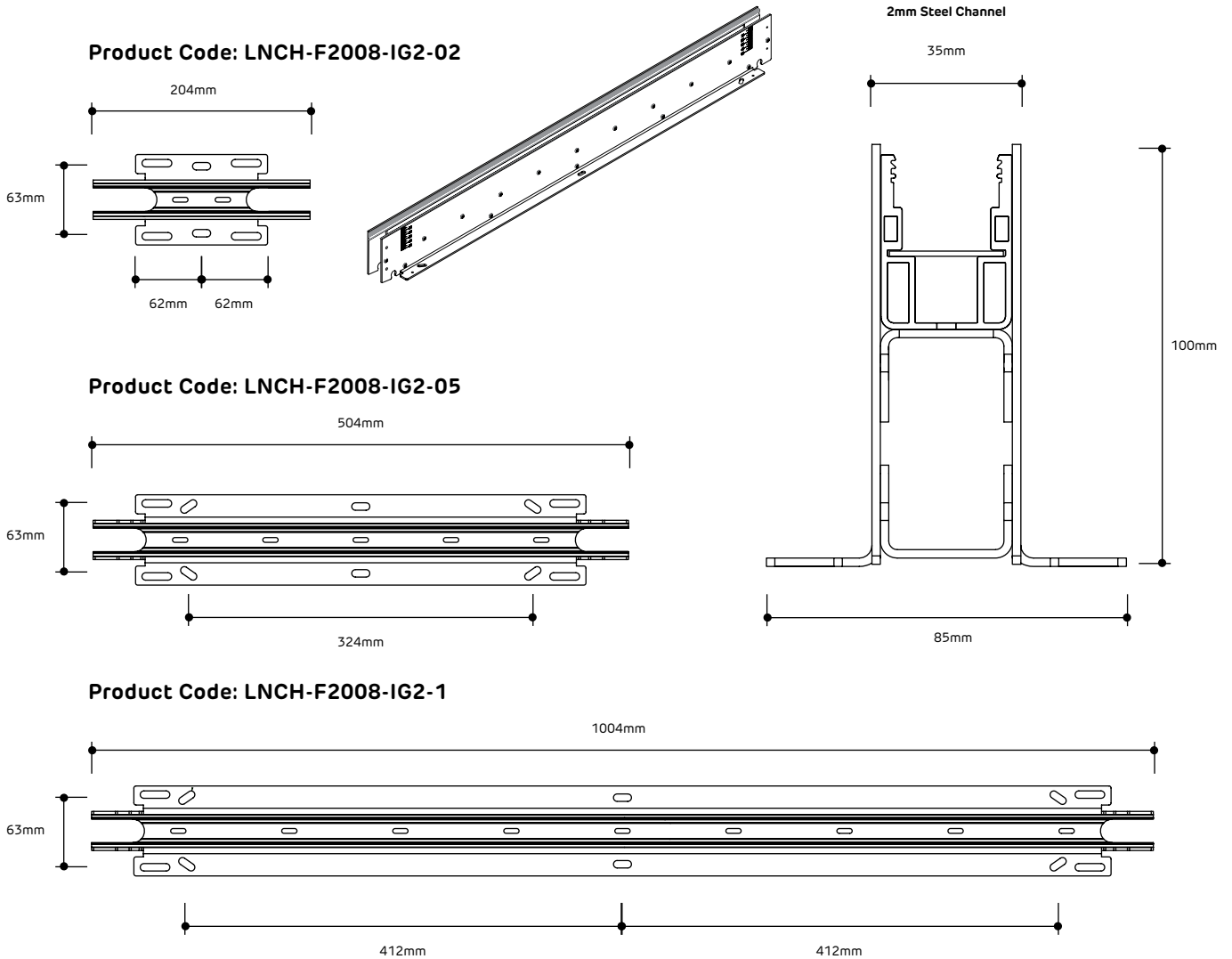
Each continuous length of In-Ground channel requires 2 x End Caps to be fitted to ensure there's no concrete ingress. Product Code: **LNCH-IG/EC**

FloppyFlex[®] F2008

2MM STAINLESS STEEL CHANNEL



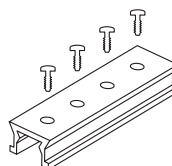
FIREFLY LIGHTING
 Phone +61 7 3254 4333
 Email sales@fireflylighting.com.au
 Address 9/29 Links Ave North, Eagle Farm.
 Brisbane QLD 4009 Australia
www.fireflylighting.com.au



2mm Stainless Steel In-Ground Channel can be used to securely house FloppyFlex F2008. 2mm thick 316 Stainless Steel construction holds the FloppyFlex neon firmly in extreme pressure conditions with an IK10 rating. Suitable for both car only drive-over and walk-over applications.

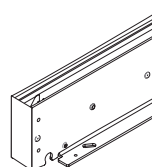
2mm Stainless Steel

Housing Material	2mm thick 316 Stainless Steel
Max Static Load	8000kg/0.5m
Usage	Car only Drive-over or walk over
IP rating	IP67



Joining Bracket

Each length of In-Ground channel can be extended up to the maximum length of the FloppyFlex F2008. 2 x Joining Brackets are required for each additional length required, Product Code: **LNCH-IG/JB**



End Cap

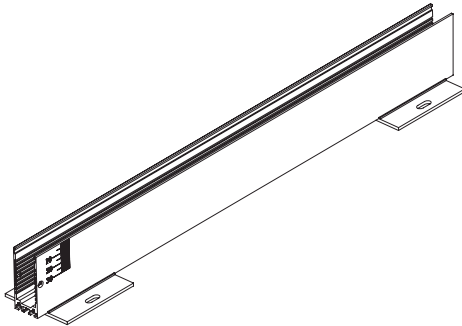
Each continuous length of In-Ground channel requires 2 x End Caps to be fitted to ensure there's no concrete ingress. Product Code: **LNCH-IG/EC**

FloppyFlex[®] F2008

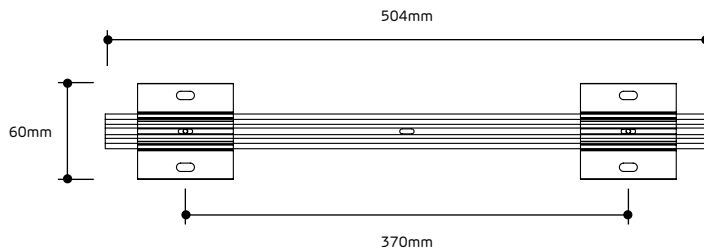
ALUMINIUM CHANNEL



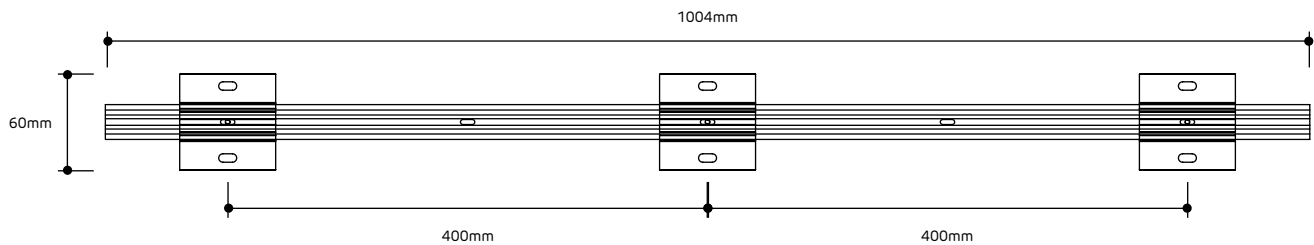
FIREFLY LIGHTING
 Phone +61 7 3254 4333
 Email sales@fireflylighting.com.au
 Address 9/29 Links Ave North, Eagle Farm.
 Brisbane QLD 4009 Australia
www.fireflylighting.com.au



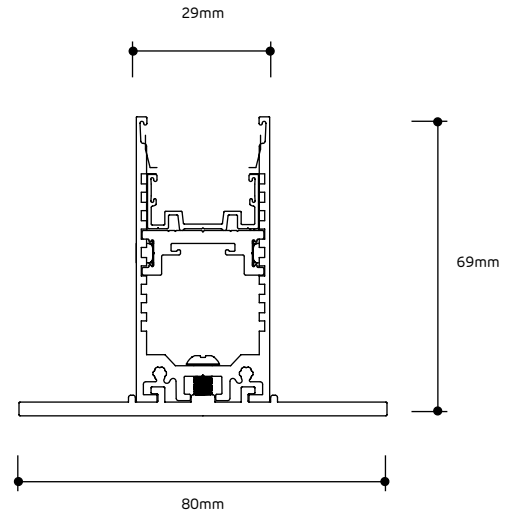
Product Code: LNCH-F2008-IGA-05



Product Code: LNCH-F2008-IGA-1

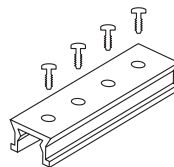


Aluminium Channel



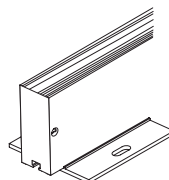
Aluminium In-Ground Channel can be used to securely house FloppyFlex F2008. 6063 Aluminium Alloy construction holds the FloppyFlex neon firmly in extreme pressure conditions with an IK10 rating. Suitable for walk-over applications.

Aluminium	
Housing Material	6063 Aluminium Alloy
Max Static Load	1000kg/0.5m
Usage	Walk over only
IP rating	IP67



Joining Bracket

Each length of In-Ground channel can be extended up to the maximum length of the FloppyFlex F2008. 2 x Joining Brackets are required for each additional length required, Product Code: **LNCH-IG/JB**



End Cap

Each continuous length of In-Ground channel requires 2 x End Caps to be fitted to ensure there's no concrete ingress. Product Code: **LNCH-IG/EC**

FloppyFlex[®] F2008

INSTALLATION GUIDE

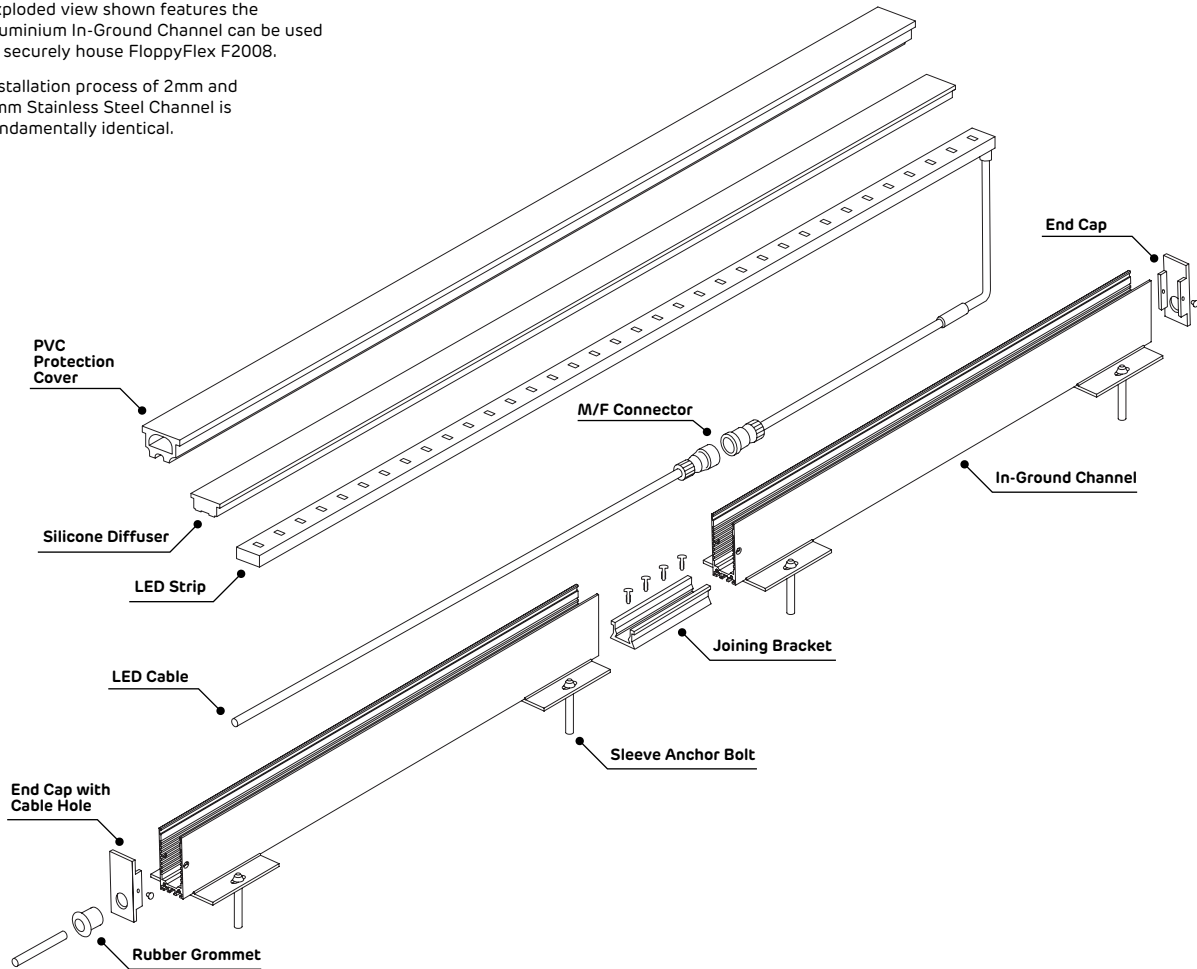


FIREFLY LIGHTING
 Phone +61 7 3254 4333
 Email sales@fireflylighting.com.au
 Address 9/29 Links Ave North, Eagle Farm,
 Brisbane QLD 4009 Australia
www.fireflylighting.com.au

Components

Exploded view shown features the Aluminium In-Ground Channel can be used to securely house FloppyFlex F2008.

Installation process of 2mm and 3mm Stainless Steel Channel is fundamentally identical.



- LED Cable runs through Conduit and enters channel through rubber gromet.
- M/F connection is made after concrete is poured and LED strip is laid into channel.

Note

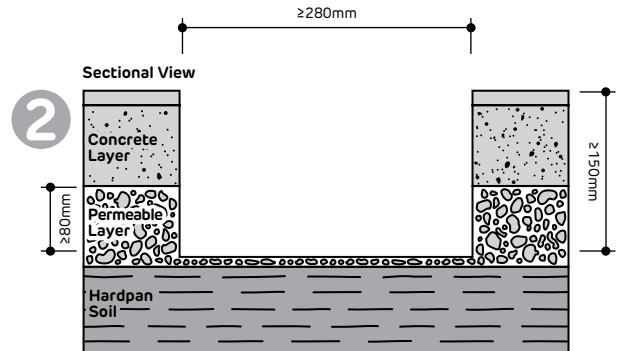
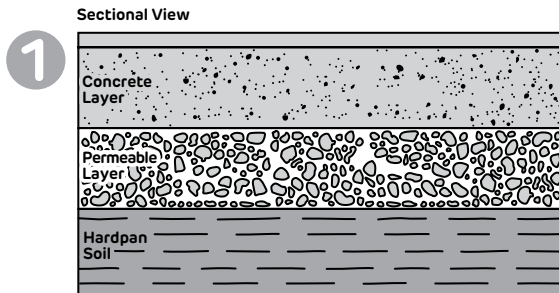
- Ensure there is no electrical connection made prior to installation.
- Ensure the fixture and conduit system is grounded in accordance with Australian electrical codes.
- For optimal light output, keep the fixture surface free and clear from dirt, dust, plants, leaves or any other obstruction.
- The In-Ground channel is suitable for concrete, brick, pavers and masonry installations.
- The In-Ground channel is not suitable for any underwater environments. Adequate drainage is required.
- Avoid placement in gully or where water pools and stagnates.
- Do not cut Leader LED cable or cable attached to F2008 LED strip to ensure fixture retains its IP rating.
- The dimensions in the below installation guide are to be used as a guide only. Please adjust as required based on your foundation structure.
- The top of the In-Ground channel should align with the finished ground level after installation.
- Ensure there is adequate permeable layer to ensure water can drain appropriately.

FloppyFlex[®] F2008

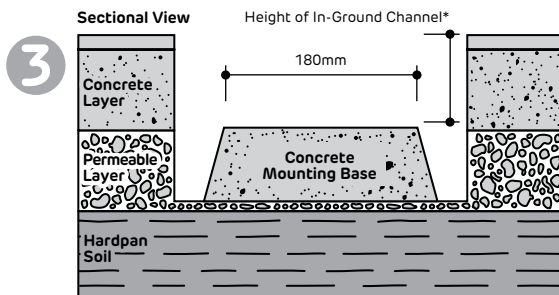
INSTALLATION GUIDE



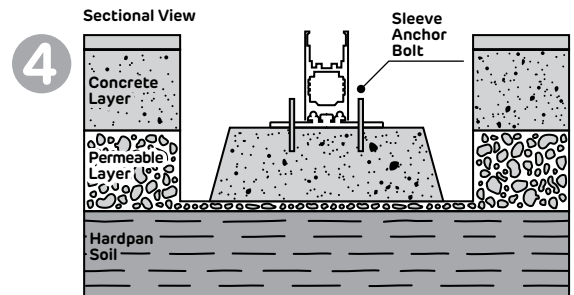
FIREFLY LIGHTING
 Phone +61 7 3254 4333
 Email sales@fireflylighting.com.au
 Address 9/29 Links Ave North, Eagle Farm,
 Brisbane QLD 4009 Australia
www.fireflylighting.com.au



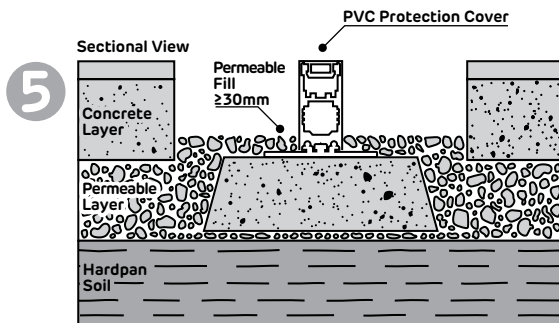
Permeable layer to be $\geq 100\text{mm}$ to ensure good drainage.



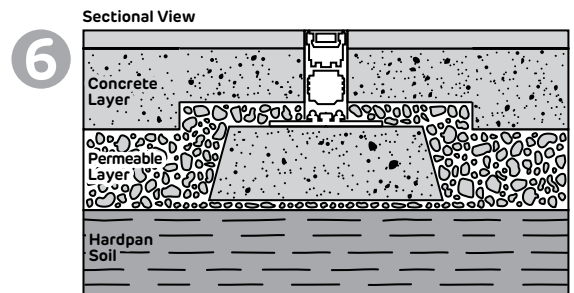
Depth measured from surface to top of Concrete Mounting Base should be the height of the chosen In-Ground Channel. Refer pages 7-9 for measurements.



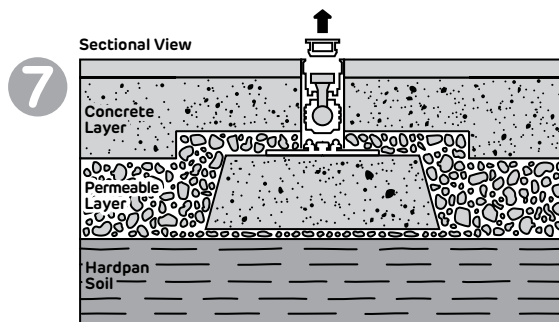
Use the sleeve anchor bolts to secure the housing to the concrete mounting base. Ensure conduit is run to cable hole and the power feed LED cable is securely inside the channel ready for attachment to F2008 LED strip after concrete has been poured.



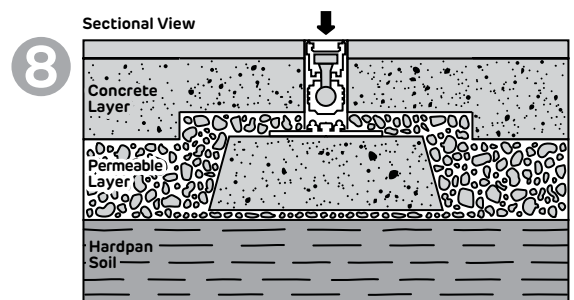
Seal the top of the housings with the PVC protection cover before pouring additional fills to ensure the inside of the channel is kept clean. Add $\geq 30\text{mm}$ of Permeable fill to ensure adequate drainage.



Pour concrete as required as per engineering specifications. Add finishing layer (tile, pebblecrete etc.) as required.



Remove PVC protection cover. Recycle as required. Lay F2008 LED strip into the channel and connect to the power feed LED cable. Check all wiring, and power up for a test cycle.



After adequate testing, seal the In Ground channel with opaque silicone diffuser.

Note: Not To Scale